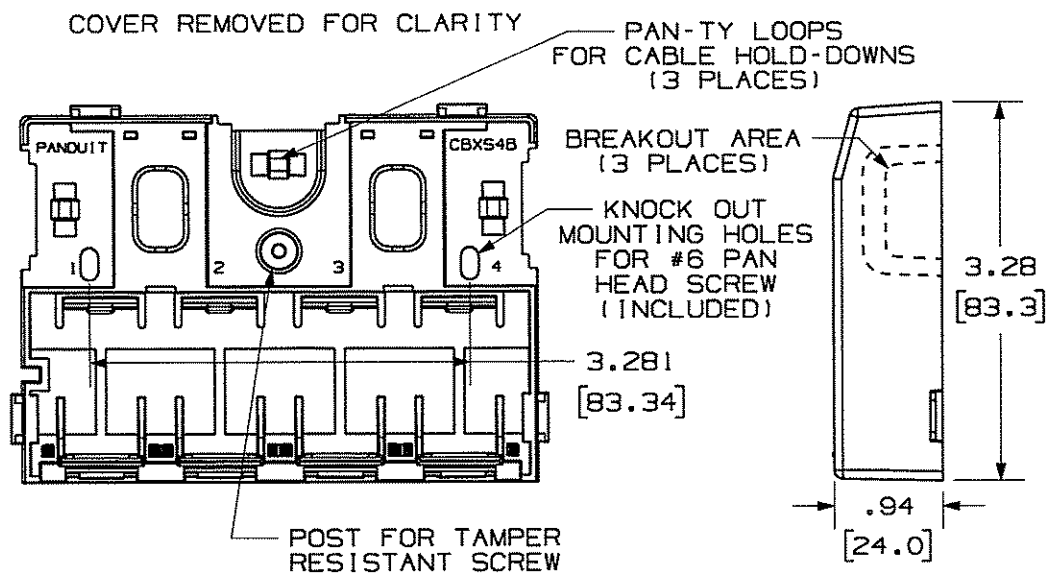
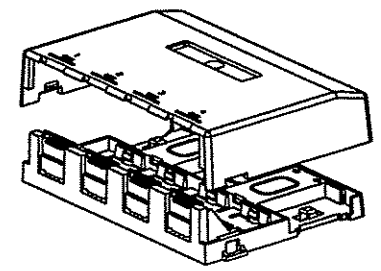
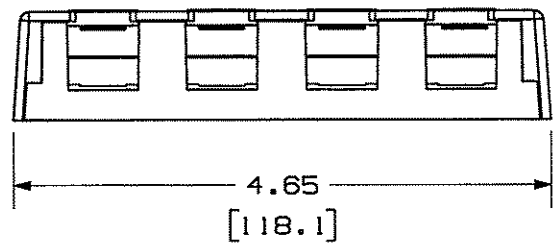


THIS COPY IS PROVIDED ON A RESTRICTED BASIS AND IS NOT TO BE USED IN ANY WAY DETRIMENTAL TO THE INTERESTS OF PANDUIT CORP.

PANDUIT P/N	WEIGHT
CBXS4***-AY	1.07 LB/10 PCS (485.3 g/10 PCS)



- NOTES:
- SEE CURRENT CATALOG FOR ADDITIONAL PART NUMBER SUFFIXES TO INDICATE COLOR AND OR PACKAGE QUANTITY.
 - SEE CATALOG FOR A COMPLETE LIST OF PARTS APPLICABLE FOR USE WITH THIS PART.
 - DIMENSIONS IN () ARE IN METRIC.
 - BOX INCLUDES:
 - 1- BOX BASE
 - 1- BOX COVER
 - 2- PLT1.51-M PAN-TY
 - 1- LABEL/ LABEL COVER
 - 2- MOUNTING SCREW
 - 1- MOUNTING SCREW (USED TO SECURE COVER TO BASE)
 - 2- STRIP OF 1.00" X .75" FOAM TAPE FOR MOUNTING
 - 1- STRIP OF 3.00" X .75" FOAM TAPE FOR MOUNTING
 - BASE HAS TWO POCKETS FOR OPTIONAL MAGNET (CSBM-X)
 - BREAKOUTS DESIGNED TO ACCEPT LD3/LDP3 AND LD5/LDP5 RACEWAY.
 - BASE MATERIAL THICKNESS= .090(2.29).



NO WARRANTY, EXPRESSED OR IMPLIED, IS MADE BY PANDUIT WITH RESPECT TO ADHESIVE BOND PERFORMANCE. AMONG OTHER THINGS, THE CONDITIONS UNDER WHICH THESE MOUNTS MAY BE APPLIED AND/OR THE SURFACE TO WHICH THEY MAY BE APPLIED ARE BEYOND PANDUIT'S CONTROL.

NETWORK SYSTEMS
 JAN 25 2007
 ENGINEERING DEPT

DRAWING FILENAME		M02479EU_DC127_00A.PRT	SIZE	A
MINI-COM 4 POSITION SHUTTERED SURFACE MOUNT BOX CUSTOMER DRAWING				
PANDUIT TM CORP. TINLEY PARK, ILL 60477		I.I. NUMBER	N/A	
ALL DIMENSIONS ARE GIVEN IN INCHES, UNLESS OTHERWISE SPECIFIED. DIMENSIONAL TOLERANCES ARE: (.X) ± .010(.254) (.XXX) ± .010(.254) (.XX) ± .031(.787) ANGLES ± .005		PRODUCT SPEC	N/A	
THIRD ANGLE PROJECTION		WORK INSTRUCTION	N/A	
DRAWN BY		SCALE	NONE	
DATE		PART NO.		
12-27-06		CBXS4***-AY		
MATERIAL:		DRAWING NO.		
BOX: ABS DOORS: PC		02479-127		

REV	DATE	BY	CHK	DESCRIPTION	ECN	R	CUST	SUP	OTH
R	12-27-06	JsP	<i>[Signature]</i>	RELEASED TO PRODUCTION	02479-127				